

# OWNER'S MANUAL

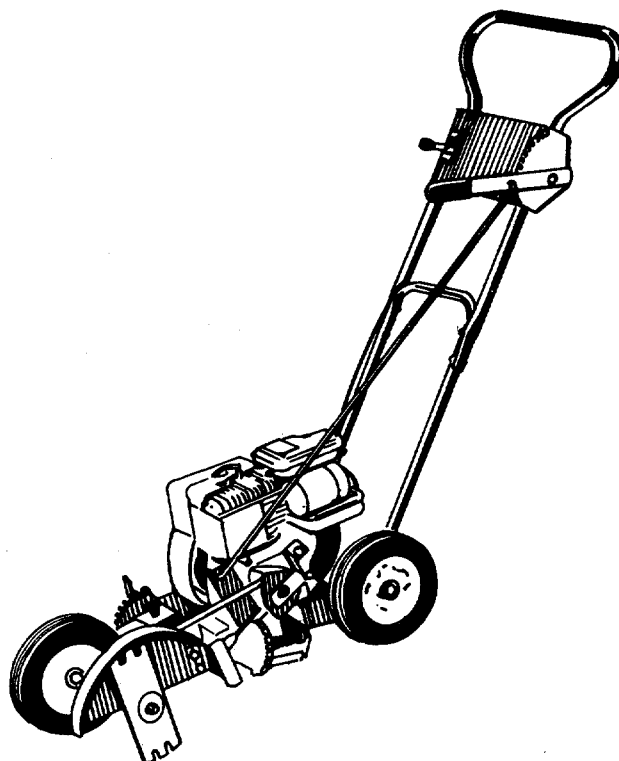
**Model No.  
248-600A**

- **ASSEMBLY**
- **OPERATION**
- **MAINTENANCE**
- **PARTS LIST**

## **Important:**

**Read Safety Rules and  
Instructions Carefully**

# EDGER



## LIMITED WARRANTY

For one year from the date of original retail purchase, MTD PRODUCTS INC will either repair or replace, at its option, free of charge, F.O.B. factory or authorized service firm, any part or parts found to be defective in material or workmanship. Transportation charges under this warranty must be paid by the purchaser unless return is requested by MTD PRODUCTS INC.

This warranty will not apply to any part which has become inoperative due to misuse, excessive use, accident, neglect, improper maintenance, alterations, or unless the unit has been operated and maintained in accordance with the instructions furnished. This warranty does not apply to the engine, motor, battery, battery charger or component parts thereof. Please refer to the applicable manufacturer's warranty on these items.

This warranty will not apply where the unit has been used commercially.

Warranty service is available through your local authorized service dealer or distributor. If you do not know the dealer or distributor in your area, please write to the Customer Service Department of MTD.

The return of a complete unit will not be accepted by the factory unless prior written permission has been extended by MTD.

This warranty gives you specific legal rights. You may also have other rights which vary from state to state.

### **WARNING TO PURCHASERS OF INTERNAL COMBUSTION ENGINE EQUIPPED MACHINERY OR DEVICES IN THE STATE OF CALIFORNIA**

The equipment which you have just purchased does not have a spark arrester. If this equipment is used on any forest covered land, brush covered land, or grass covered unimproved land in the State of California, before using on such land, the California law requires that a spark arrester be provided. In addition, spark arrester is required by law to be in effective working order. The spark arrester must be attached to the exhaust system and comply with Section 4442 of the California Public Resources Code.

# **IMPORTANT**

It is suggested that this manual be read in its entirety before attempting to assemble or operate. Keep this manual in a safe place for future reference and for ordering replacement parts.

This unit is shipped WITHOUT GASOLINE or OIL. After assembly, see operating section of this manual for proper fuel and amount.

## **SAFE OPERATION PRACTICES FOR EDGERS**

### **TRAINING**

1. Read the Operating and Service Instruction Manual carefully. Be thoroughly familiar with the controls and the proper use of the equipment.
2. Never allow children to operate a power mower.
3. Keep the area of operation clear of all persons, particularly small children and pets.
5. If the equipment should start to vibrate abnormally, stop the engine and check immediately for the cause. Vibration is generally a warning of trouble.
6. Stop the engine whenever you leave the equipment, before cleaning the mower housing, and when making any repairs or inspections.

### **PREPARATION**

1. Thoroughly inspect the area where the equipment is to be used and remove all stones, sticks, wire, bones and other foreign objects.
2. Do not operate equipment when barefoot or wearing open sandals. Always wear substantial footwear.
3. Check the fuel before starting the engine. Do not fill the gasoline tank indoors, when the engine is running, or while the engine is still hot. Wipe off any spilled gasoline before starting the engine.
4. Disengage the self-propelled mechanism or drive clutch on units so equipped before starting the engine.
5. Never attempt to make a wheel adjustment while the engine is running.
6. Mow only in daylight or in good artificial light.
7. Never operate the equipment in wet grass. Always be sure of your footing; keep a firm hold on the handle and walk, never run.
7. When cleaning, repairing or inspecting, make certain the blade and all moving parts have stopped. Disconnect the spark plug wire, and keep the wire away from the plug to prevent accidental starting.
8. Do not run the engine indoors.
9. Shut the engine off and wait until the blade comes to a complete stop before removing the grass catcher or unclogging chute.

### **OPERATION**

1. Do not change the engine governor settings or overspeed the engine.
2. Do not put hands or feet near or under rotating parts. Keep clear of the discharge opening at all times.
3. Stop the blade(s) when crossing gravel drive, walks or roads.
4. After striking a foreign object, stop the engine, remove the wire from the spark plug, thoroughly inspect the mower for any damage, and repair the damage before restarting and operating the mower.

### **MAINTENANCE AND STORAGE**

1. Check the blade and engine mounting bolts at frequent intervals for proper tightness.
2. Keep all nuts, bolts, and screws tight to be sure the equipment is in safe working condition.
3. Never store the equipment with gasoline in the tank inside of a building where fumes may reach an open flame or spark. Allow the engine to cool before storing in any enclosure.
4. To reduce fire hazard, keep the engine free of grass, leaves, or excessive grease.
5. Check the grass catcher bag frequently for wear or deterioration. Replace with new bag for safety protection.

# ASSEMBLY

Your new edger is shipped preassembled with the exception of the handle, rear wheels, and throttle control.

1. Remove the edger and all parts from the carton. Make certain that all loose parts and literature are removed from carton before carton is discarded.
2. Assemble the lower handle into the slots in the rear of the frame. Line up the holes in the handle with the holes in the frame and insert the axle bolt through the wheel, Belleville washer, frame, handle, lockwasher and secure with hex nut as shown on the parts drawing.
3. Assemble the upper handle assembly to the lower handle with four carriage bolts, lockwashers and nuts.
4. Assemble the clutch rod to the clutch handle and pivot bracket assembly and secure with cotter pins.
5. Check the lubrication section of this manual for proper engine lubrication care.

# CONTROLS

**Engine**—One lever operates the choke, regulates the engine speed and stops the engine. Ref. No. 73.

**Depth Control Adjustment**—The clutching and declutching of the belt is accomplished by moving the clutch handle. To declutch pull the handle towards you as you operate the edger. The farther you push the handle forward the deeper the cut. To operate the clutch handle, move it to the left so the pin clears the clutch plate. Ref. No. 4.

**Cam Lever**—The cam lever releases the blade guard assembly so it can be rotated to any position. The cam lever can be tightened by adjusting the hex nut on the stud (ref. no. 29).

**Blade Plane Adjustment**—The cutting blade can be adjusted from vertical to horizontal position by releasing the lever on the pivot bracket assembly and rotating the spindle housing. The notches will hold it in any position. Ref. No. 24.

**Wheel Horizontal Adjustment**—Loosening the lever on the front of the frame will allow you to move the front wheel bracket assembly to either side of the frame. Ref. No. 58.

**Wheel Vertical Adjustment**—By releasing the lever on the R.H. side of the frame you can raise and lower the front wheel of your edger. Additional adjustment can be made by unscrewing the axle bolt and using the different holes in the end of the wheel bracket assembly. Ref. No. 24.

By becoming familiar with all the controls and adjustments before you operate your edger you will be able to easily adjust your edger to a variety of cutting and trimming conditions. While the engine is running, **DO NOT ATTEMPT TO MAKE ANY ADJUSTMENTS** except with the engine control or the depth control adjustment.

# STARTING INSTRUCTIONS

1. Fill the crankcase with oil. See Lubrication section of this manual.
2. Fill the gasoline tank with "regular" gasoline.
3. Move the depth control adjustment lever back as far as it will travel and engage the pin in the clutch plate (ref. no. 4).
4. Set the engine control in the "choke" position.
5. Grasp the starter handle and pull out the cord rapidly. Return it slowly to the engine. If the engine does not start after two pulls, move the engine control to the "fast" position.



## CAUTION

The manufacturer recommends that the operator wear safety glasses or some other suitable eye protection.

# LUBRICATION

**Engine**—Fill sump with oil. Use a high quality detergent oil classified "For Service MS." Nothing should be added to the recommended oil. **SUMMER**—Use SAE 30. **WINTER**—(Below 40°F.) Use SAE 5W-20 or SAE 10W.

**Directions:** Place the engine level. Remove filler plug. **FILL THE OIL SUMP TO POINT OF OVERFLOW.** Pour slowly.

**Wheels**—The wheel bearings are lifetime fortiflex and require no lubrication.

**Cutter Head Bearings**—The two ball bearings in the cutter head are lubricated and sealed at the factory and require no lubrication. Lubricate all other moving parts with engine oil.

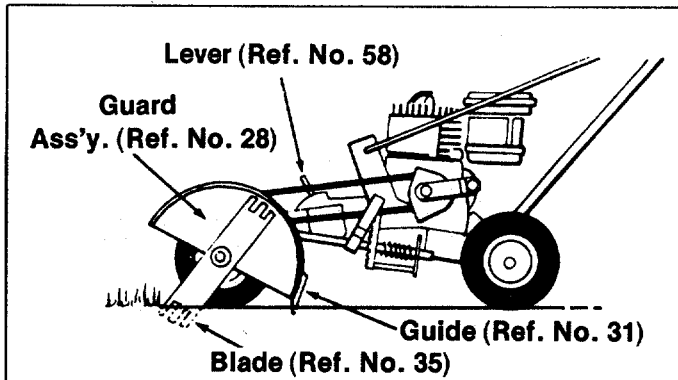
# MAINTENANCE

**Blade Removal**—Use a wrench on both sides of the blade when removing it for replacement.

**Belt Removal**—To remove the V-Belt, remove the belt guard on the engine pulley and the belt guard on the spindle housing. Replace with a 3/8 x 31.2" V-Belt. (Part Number 754-0142.)

# OPERATING INSTRUCTIONS

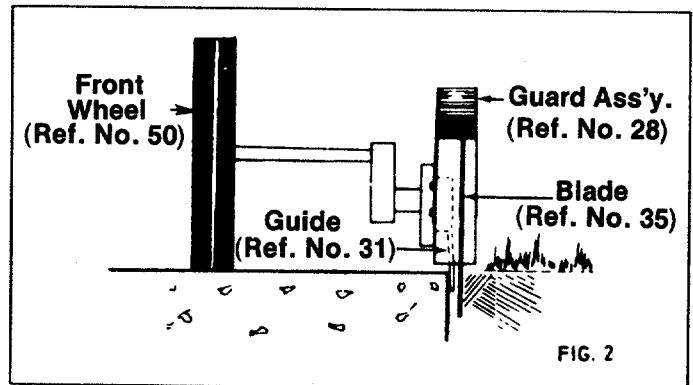
1. Loosen the lever (ref. no. 58) on the wheel horizontal adjustment and move it all the way to the right and tighten the lever.



**Figure 1**

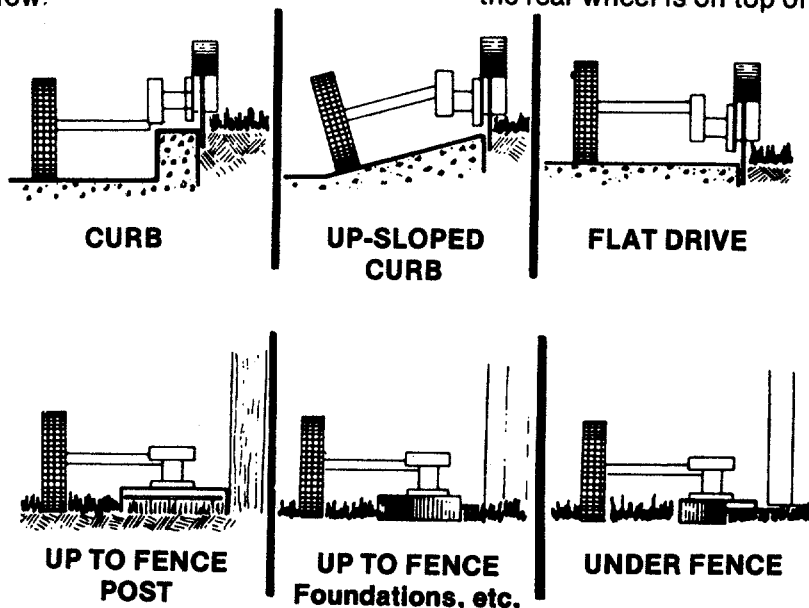
2. Move the depth control adjustment lever down until the blade engages in the ground.
3. Be sure the guide (ref. no. 31) which is mounted on the guard ass'y. (ref. no. 28) follows in the fresh cut of the blade. (See position of guard, fig. 1.)
4. Be sure guide (ref. no. 31) rides against the walk (see fig. 2) below.


5. Guard ass'y. (ref. no. 28) is adjustable horizontally. If operator is on walk as in fig. 2, pull guard ass'y. (ref. no. 28) to the right so that the inside of guide (ref. no. 32) is to the walk. If operator is on lawn, pull the guard ass'y. (ref. no. 28) to the left. This allows the outside of guide (ref. no. 31) to be towards the walk. This will protect your blade from wear and damage.



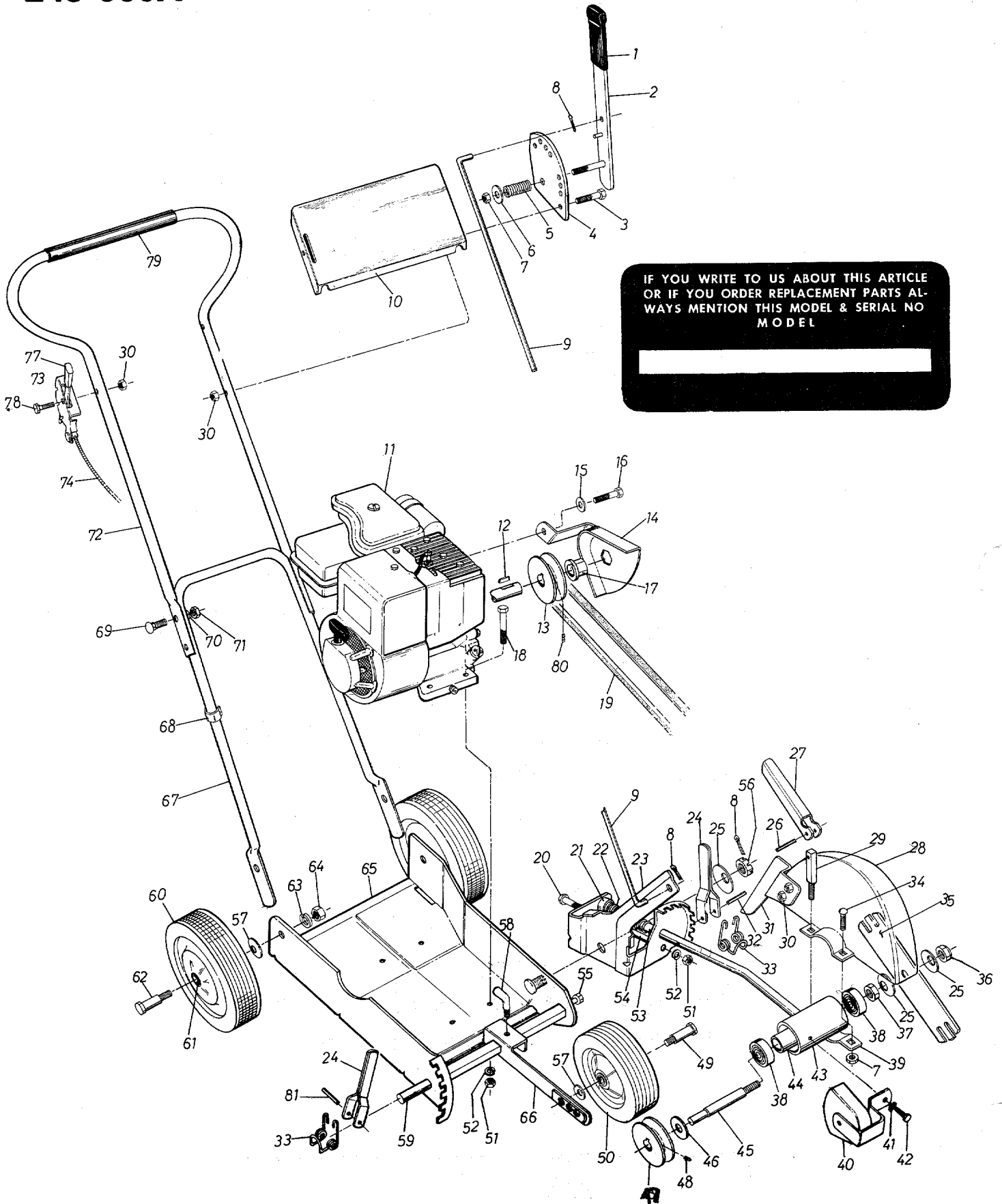
**Figure 2**

6. To operate the edger as a trimmer, rotate the cutter head 90° by adjusting the blade plane adjuster.
7. The edger can be adjusted by lowering the front wheel with the wheel vertical adjustment so the front wheel will roll in the street while the rear wheel is on top of the curb.




**CAUTION**  
 Do not adjust the blade guard with the engine running.

# 248-600A



IF YOU WRITE TO US ABOUT THIS ARTICLE  
OR IF YOU ORDER REPLACEMENT PARTS AL-  
WAYS MENTION THIS MODEL & SERIAL NO  
MODEL

**PARTS LIST FOR MODEL 248-600A**

REF. NO.	PART NO.	COLOR CODE	DESCRIPTION	NEW PART	REF. NO.	PART NO.	COLOR CODE	DESCRIPTION	NEW PART
1	720-0142		Flat Bar Grip		39	10244		Clamp Bracket	
2	09948		Clutch Handle Assembly		40	09944	—463	Belt Guard Assembly	
3	710-0106		Hex Hd. Cap Scr. 1/4-20 x 1 1/4 Lg.*		41	736-0329		Spring L-Wash. 1/4 Screw*	
4	09950		Clutch Plate		42	710-0599		Hex Wash.-Hd. Thd. Cut Scr. Type "F" 1/4-20 x 1/2 Lg.*	
5	732-0171		Compression Spring		43	09934		Spindle Housing†	
6	736-0264		Flat Washer*		44	711-0385		Spacer	
7	712-0372		Hex Centerlock Nut 5/16-18 Thd.*		45	711-0384		Spindle	
8	714-0115		Cotter Pin 1/8 Dia.* x 1.00" Lg.*		46	736-0116		Flat Washer .625 I.D. x .937 O.D.*	
9	09951		Clutch Rod		47	711-0420		Pulley-Spindle	
10	10113	—463	Handle Cover		48	715-0246		Spirol Pin 3/16 Dia. x 1 1/4" Lg.*	
11	—		Engine		49	738-0213		Axle Bolt—Front Wheel	
12	714-0105		Square Key .187 Sq. x 1" Lg.*		50	09392	—513	Wheel Assembly 7" Dia.—Front	
13	711-0421		Pulley—Engine		51	712-0267		Hex Nut 5/16-18 Thd.	
14	09941	—463	Belt Guard Assembly		52	736-0119		Spring L-Wash. 5/16" Scr.*	
15	736-0114		Internal Lockwasher 1/2" Dia.*		53	715-0111		Spirol Pin 3/16" Dia. x 1" Lg.*	
16	710-0121		Hex Hd. Cap Scr. 1/2-20 x 3/4" Lg.		54	711-0386		Spacer	
17	748-0227		Hex Bearing		55	711-0110		Shoulder Bolt	
18	710-0442		Hex Hd. Cap Scr. 5/16-18 x 1 1/2" Lg.		56	712-0114		Castle Hex Nut 1/2-20 Thd.*	
19	754-0142		V-Belt 3/8 x 31.2 Lg.*		57	736-0105		Belleville Washer*	
20	710-0402		Hex Hd. Cap Scr. 5/16-18 x 4 1/2" Lg.		58	711-0207		Lock Handle	
21	711-0379		Bushing		59	711-0382		Shaft	
22	732-0187		Compression Spring		60	09392	—514	Wheel Ass'y. 8" Dia.—Rear (2)	
23	09932		Pivot Bracket Assembly		61	07006		Fortiflex Bearing	
24	09946		Lever Assembly		62	738-0108		Axle Bolt—Rear	
25	736-0112		Belleville Washer*		63	736-0169		Spring L-Wash. for 3/8" Scr.*	
26	715-0119		Roll Pin 5/32" x 3/4" Lg.*		64	712-0798		Hex Nut 3/8-16 Thd.*	
27	09953		Cam Lever		65	09930	—463	Base Assembly	
28	09938	—463	Guard Assembly		66	09936	—463	Wheel Bracket Ass'y.	
29	711-0383		Stud		67	09955		Handle—Lower	
30	712-0107		Hex Centerlock Nut 1/4-20 Thd.*		68	726-0178		Cable Tie	
31	09952		Guide		69	710-0111		Carriage Bolt 1/4-20 x 1 1/4 Lg.*	
32	712-0101		Roll Pin 1/4" x 1 1/2" Lg.*		70	736-0329		Spring L-Wash. 1/4" Scr.*	
33	732-0188		Tension—Spring		71	712-0287		Hex Nut 1/4-20 Thd.*	
34	710-0316		Hex Hd. Cap Scr. 5/16-18 x 1" Lg.*		72	10112		Handle—Upper	
35	09954		Blade		73	10449		Throttle Control Complete	
36	712-0200		Hex Elastic Stop Nut 1/2-20 Thd.*		74	746-0232	**	Conduit and Wire**	
37	712-0922		Hex Jam Nut 1/2-20 Thd.*		77	07470		Knob**	
38	741-0124		Bearings #203		78	710-0606		Hex Hd. Cap Scr. 1/4-20 x 1 1/2 Lg.*	
					79	718-0144		Grip—Handle	
					80	710-0137		Set Scr. 5/16-24 Thd.*	
					81	715-0247		Spring Pin Spir. 3/16" Dia. x 1.00" Lg.*	

\*For faster service order standard nuts, bolts, and washers locally. If these items cannot be obtained locally, order by part number and size as shown on parts list.

(463—Top Flite Red) When ordering parts, if color or finish is important, use the appropriate color code shown at left. (e.g. Top Flite Red 10112 (463).)

†To order spindle housing complete with two bearings, spacer and spindle shaft order part number 10229.

\*\*Part of throttle control complete 10449.

NOTE: The engine is not under warranty by the edger manufacturer . . . If repairs or service is needed on the engine, please contact your nearest authorized engine service outlet. Check the "Yellow Pages" of your telephone book under "Engines—Gasoline."



**NOTE**

This instruction manual covers various models and all specifications shown do not necessarily apply to your model. Specifications subject to change without notice or obligation.

# PARTS INFORMATION

## POWER EQUIPMENT PARTS AND SERVICE

Parts and service for all MTD manufactured power equipment are available through the authorized service firms listed below. All orders should specify the model number of your unit, parts number, description of parts and the quantity of each part required.

<b>ALABAMA</b>	<b>BIRMINGHAM</b>	
Auto Electric & Carburetor Co. ....	2625 4th Ave. S. ....	35233
<b>ARKANSAS</b>	<b>NORTH LITTLE ROCK</b>	
Sutton's Lawn Mower Shop .....	Rt. 4, Box 368 .....	72117
	<b>FORT SMITH</b>	
Mity Mite Motors, Inc. ....	2515 Towson Ave. ....	72901
<b>CALIFORNIA</b>	<b>PORTERVILLE</b>	
Billious .....	75 North D Street .....	93257
	<b>SAN BERNARDINO</b>	
Lawn Mower Supply Co. ....	25608 E. Baseline .....	92410
	<b>SAN FRANCISCO</b>	
J.W. Jewett Co. ....	981 Folsom St. ....	94107
	<b>SACRAMENTO</b>	
Luttig & Severson .....	2030 28th St. ....	95818
<b>COLORADO</b>	<b>DENVER</b>	
South Denver Lawn Equip. ....	527 West Evans .....	80223
<b>CONNECTICUT</b>	<b>SUFFIELD</b>	
The Jones & Ramsey Co. ....	850 Thompsonville Rd. ....	06078
<b>FLORIDA</b>	<b>JACKSONVILLE</b>	
Radco Distributors .....	2403 Market St. ....	32206
	<b>CORAL GABLES</b>	
Moz-All of Florida, Inc. ....	365 Greco Ave. ....	33146
<b>GEORGIA</b>	<b>EAST POINT</b>	
East Point Cycle & Key .....	2834 Church St. ....	30344
<b>ILLINOIS</b>	<b>LYONS</b>	
Keen Edge Co. ....	8615 Ogden Ave. ....	60534
<b>INDIANA</b>	<b>ELKHART</b>	
Parts & Sales Inc. ....	2101 Industrial Pkwy. ....	46514
<b>IOWA</b>	<b>DUBUQUE</b>	
Power Lawn & Garden Equip. ....	2551 J.F. Kennedy .....	52001
<b>LOUISIANA</b>	<b>NEW ORLEANS</b>	
Suhren Engine Co. ....	8330 Earhart Blvd. ....	70118
<b>MARYLAND</b>	<b>TAKOMA PARK</b>	
Center Supply Co. ....	6867 New Hampshire Ave. ....	20012
<b>MASSACHUSETTS</b>	<b>SPRINGFIELD</b>	
Morton B. Collins Co. ....	300 Birnie Ave. ....	01107
<b>MICHIGAN</b>	<b>MOUNT CLEMENS</b>	
Power Equipment Dist. ....	36463 South Gratiot .....	48043
	<b>LANSING</b>	
Lorenz Service Co. ....	2500 S. Pennsylvania .....	48900
<b>MINNESOTA</b>	<b>MINNETONKA</b>	
Hance Distributing Inc. ....	11212 Wayzata Blvd. ....	55343
<b>MISSISSIPPI</b>	<b>BILOXI</b>	
Biloxi Sales & Service, Inc. ....	506 Caillavet St. ....	39533
<b>MISSOURI</b>	<b>KANSAS CITY</b>	
Automotive Equip. Service .....	3117 Holmes St. ....	64109
	<b>ST. LOUIS</b>	
Henzler, Inc. ....	2015 Lemay Ferry Rd. ....	63125
<b>NEW JERSEY</b>		
Lawnmower Parts Inc. ....	717 Creek Rd., P.O. Box 7 .....	08030

## BRIGGS & STRATTON, TECUMSEH AND PEERLESS PARTS AND SERVICE

Briggs & Stratton, Tecumseh and Peerless parts and service should be handled by your nearest authorized engine service firm. Check the yellow pages of your telephone directory under the listing **Engines—Gasoline**, Briggs & Stratton or Tecumseh Lauson.

<b>NEW YORK</b>	<b>CARTHAGE</b>	
Gamble Dist., Inc. ....	West End Ave. ....	13619
<b>NORTH CAROLINA</b>	<b>GREENSBORO</b>	
Dixie Sales Company .....	327 Battleground Ave. ....	27402
	<b>GOLDSBORO</b>	
Smith Hardware Co. ....	515 N. George St. ....	27530
<b>OHIO</b>	<b>WADSWORTH</b>	
National Central .....	687 Seville Rd. ....	44281
	<b>CLEVELAND</b>	
Bleckrie, Inc. ....	7900 Lorain Ave. ....	44102
	<b>CARROLL</b>	
Stebe's Mid-State Mower Supply ..	Box 366 .....	43112
	<b>WILLARD</b>	
Sunshine Wholesale Tire Outlet ..	Route 224 .....	44890
<b>OKLAHOMA</b>	<b>MUSKOGEE</b>	
Victory Motors, Inc. ....	605 S. Cherokee .....	74401
	<b>ADA</b>	
Ada Auto Supply .....	301 E. 12th St. ....	74820
<b>OREGON</b>	<b>PORTLAND</b>	
Kenton Supply Co. ....	8216 N. Denver Ave. ....	97217
<b>PENNSYLVANIA</b>	<b>LANCASTER</b>	
Raub Supply Co. ....	James & Mulberry Sts. ....	17604
	<b>PITTSBURGH</b>	
Bluemont Co. ....	11125 Frankstown Rd. ....	15235
<b>TENNESSEE</b>	<b>KNOXVILLE</b>	
Master Repair Service .....	2423 Broadway, N.E. ....	37917
	<b>MEMPHIS</b>	
Memphis Cycle & Supply Co. ....	421 Monroe Ave. ....	38107
American Sales & Service, Inc. ....	1922 Lynnbrook .....	3811
<b>TEXAS</b>	<b>DALLAS</b>	
Marr Brothers, Inc. ....	423 E. Jefferson .....	75203
	<b>HOUSTON</b>	
Bullard Supply Co. ....	2409 Commerce St. ....	77003
	<b>SAN ANTONIO</b>	
Catto & Putty, Inc. ....	P.O. Box 2408 .....	78206
	<b>FORT WORTH</b>	
Woodson Sales Corp. ....	1702 N. Sylvania .....	76111
<b>UTAH</b>	<b>SALT LAKE CITY</b>	
A-1 Engine & Mower Co. ....	437 E. 9th St. ....	84111
<b>VERMONT</b>	<b>BURLINGTON</b>	
Vermont Appliance Co. ....	44 Lakeside Ave. ....	05401
<b>VIRGINIA</b>	<b>RICHMOND</b>	
RBI Corp. ....	963 Myers St. ....	23260
<b>WASHINGTON</b>	<b>SEATTLE</b>	
Bailey's Rebuild, Inc. ....	1325 E. Madison St. ....	98102
<b>WEST VIRGINIA</b>	<b>CHARLESTON</b>	
Young's, Inc. ....	233 Virginia St., E. ....	25301
<b>WISCONSIN</b>	<b>APPLETON</b>	
Automotive Supply Co. ....	123 S. Linwood Ave. ....	54911

### WARRANTY PARTS AND SERVICE POLICY

The purpose of warranty is to protect the customer from defects in workmanship and materials, defects which are NOT detected at the time of manufacture. It does not provide for the unlimited and unrestricted replacement of parts. Use and maintenance are the responsibility of the customer. The manufacturer cannot assume responsibility for conditions which it has no control. Simply put, if it's the manufacturer's fault, it's the manufacturer's responsibility; if it's the customer's fault, it's the customer's responsibility.

#### CLAIMS AGAINST THE MANUFACTURER'S WARRANTY INCLUDES

1. Replacement of Missing Parts on new equipment.
2. Replacement of Defective Parts within the warranty period.
3. Repair of Defects within the warranty period.

All claims MUST be substantiated with the following information:

1. Model Number of unit involved.
2. Date unit was purchased or first put into service.
3. Date of failure.
4. Nature of failure.